

Installation Manual

Outdoor Clock, single- or double-sided, with LED – illumination



For safety reasons avoid to look directly into the LEDs.

Before installation of the clock please read the manual carefully.

1. Notes to this Installation manual

- The information in this installation manual can be changed at any time without previous notice.
- This installation manual has been composed with utmost care, in order to explain all details in respect of the operation of the product. Should you, nevertheless, have questions or discover errors in this Manual, please contact us.
- We do not answer for direct or indirect damages, which could occur through incorrect use of this manual.
- Please read the instructions carefully before setting-up of the product. Use the product only once you have correctly understood all information for the installation and of the operation.
- **The installation must only be carried out by a skilled person.**
- It is prohibited to reproduce, to store in a computer system or to transfer this publication in a way or another, even part of it. The copyright remains with all the rights with MOSER-BAER AG – CH 3454 Sumiswald / Switzerland and BÜRK MOBATIME GmbH, D-78026 VS-Schwenningen / Germany.

2. Handling instructions

- The clock must be transported upright in its original packaging and has to be stored dry.
- Clean the cover glass with wet (leather-) cloth.
- Never use solvents, aerosol or organic cleaning products.
- The housing can be cleaned with standard cleaning agents.

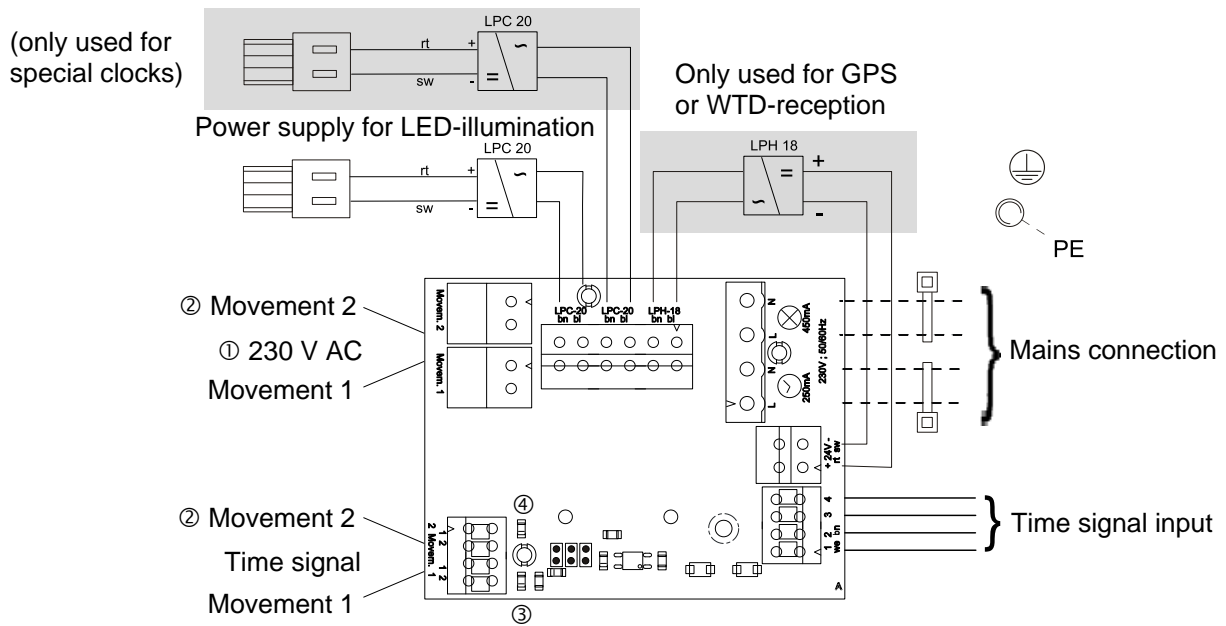
3. Electrical connections



**The mains supply line may only be installed by a licenced electrician.
The nationally valid installation regulations must be complied with.**

- The clock does contain a plug-in terminal, which serves as an all wires disconnecting device. In the on-site supply line for movement and illumination, a fuse according to the consumption is to provide. Use the same phase (nom. 230 VAC).
Maximum wire cross section of 2.5 mm² shall be used.
- For all maintenance and cabling work, the clock has to be separated from the mains power supply.

4. Overview clock wiring



- ① 230VAC (only movements with power-supply)
- ② Movement 2 (only double-sided clocks)
- ③ Signal LED movement 1
- ④ Signal LED movement 2



The internal wiring must not be modified.

5. Customer connections

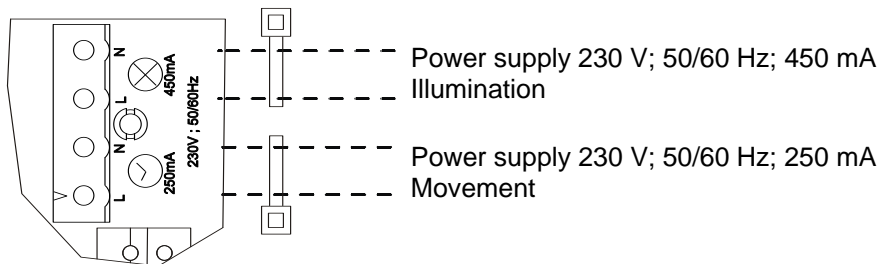
• Mains connection

A cable attachment for power supply is provided inside the clock. Protected earth has to be connected to the labelled grounding bolt (PE).

For phase and neutral wires a grey four-pin terminal is available. Dismantle the insulation of the connecting wires to a length of 8 to 9 mm. Insert the wires up to the isolation in to the spring terminal and clamp them by using the contact pusher.

Phase and neutral wires must be kept together close to the terminal, using cable ties.

Detail of mains connection on mounting plate:

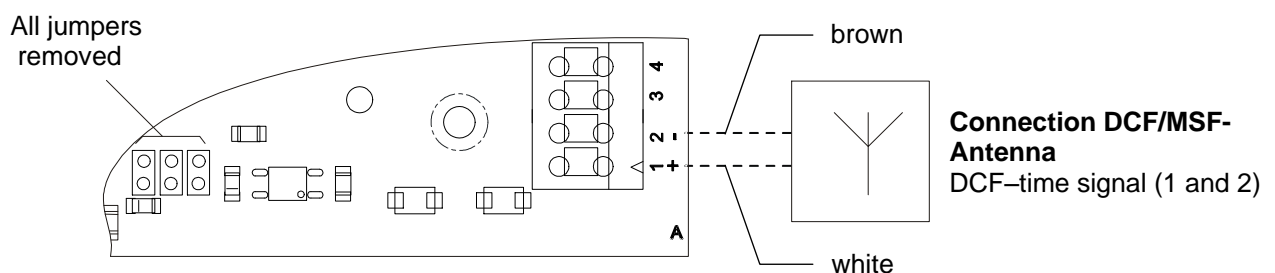


• Time signal connection

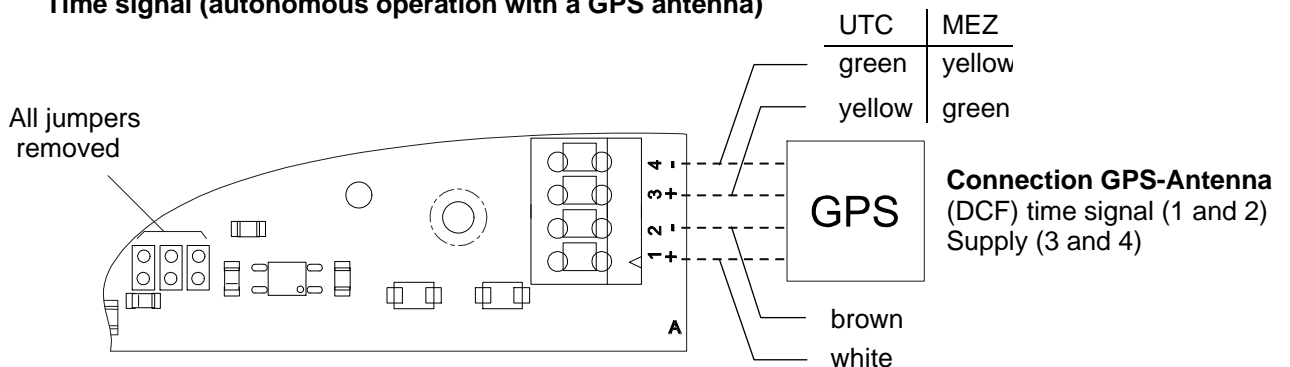
A cable attachment for time signal is provided inside the clock. Dismantle the insulation of the connecting wires to a length of 9 to 10 mm. Insert the wires up to the isolation in to the orange spring terminal and clamp them by using the contact pusher.

Signal	Movement code	Type of movement
DCF	R00...R04	BU 190...
GPS	R60...R63	BU 190...

Time signal (autonomous operation with a DCF antenna)

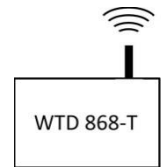


Time signal (autonomous operation with a GPS antenna)



Time signal (autonomous operation with a WTD-receiver)

No time signal via cable required for this clock. It is synchronized from a WTD 868-T transmitter via a radio receiver interface WTD 868-RM. The radio receiver interface is mounted and connected inside the clock.

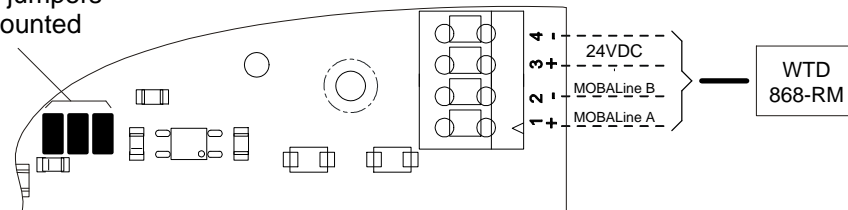


Signal
WTD 868-RM

Movement code
R87...R90

Type of movement
SAM/SEM 100...

All jumpers
mounted



Connection WTD-receiver
(MBL) time signal (1 and 2)
Supply (3+ and 4-)

HEADQUARTERS / PRODUCTION

MOSER-BAER AG
Spitalstrasse 7, CH-3454 Sumiswald
Tel. +41 34 432 46 46 / Fax +41 34 432 46 99
moserbaer@mobatime.com / www.mobatime.com

SALES WORLDWIDE

MOSER-BAER SA EXPORT DIVISION
19 ch. du Champ-des-Filles, CH-1228 Plan-les-Ouates
Tel. +41 22 884 96 11 / Fax + 41 22 884 96 90
export@mobatime.com / www.mobatime.com

SALES SWITZERLAND

MOBATIME AG
Stettbachstrasse 5, CH-8600 Dübendorf
Tel. +41 44 802 75 75 / Fax +41 44 802 75 65
info-d@mobatime.ch / www.mobatime.ch

MOBATIME SA
En Budron H 20, CH-1052 Le Mont-sur-Lausanne
Tél. +41 21 654 33 50 / Fax +41 21 654 33 69
info-f@mobatime.ch / www.mobatime.ch

SALES GERMANY, AUSTRIA

BÜRK MOBATIME GmbH
Postfach 3760, D-78026 VS-Schwenningen
Steinkirchring 46, D-78056 VS-Schwenningen
Tel. +49 7720 8535 0 / Fax +49 7720 8535 11
buerk@buerk-mobatime.de / www.buerk-mobatime.de